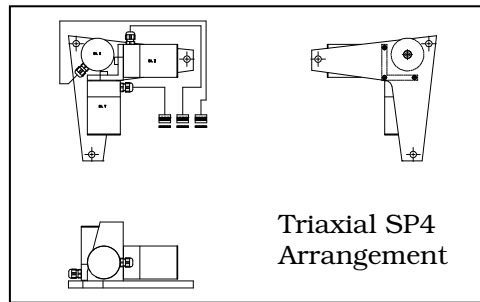
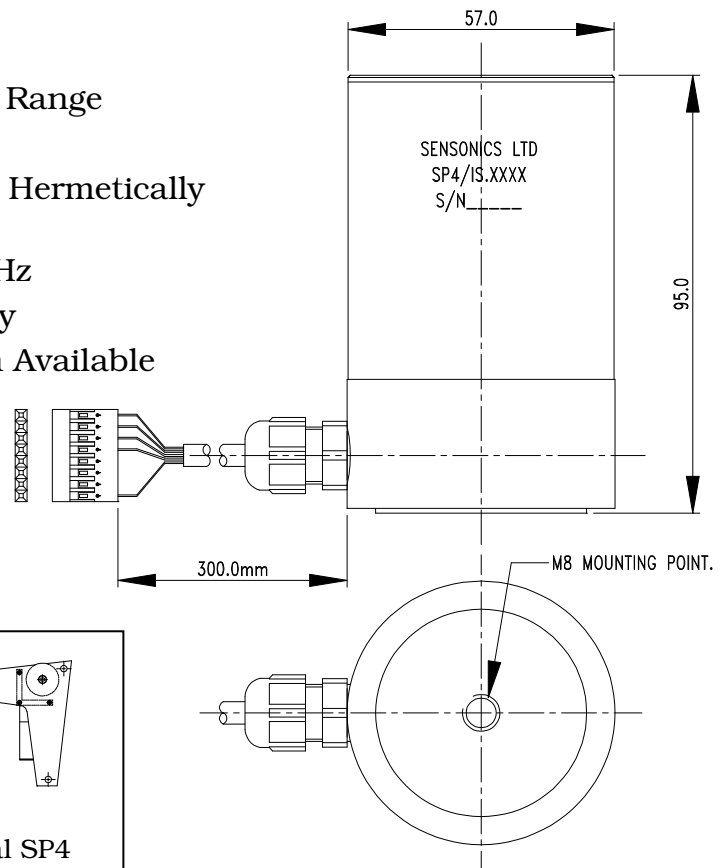


SP4 SEISMIC ACCELEROMETER



- Rugged
- Wide Dynamic Range
- Low Noise
- Stainless Steel Hermetically Sealed
- 0.1Hz to 1000Hz
- High Sensitivity
- Triaxial Option Available



The SP-4 is a robust, portable, sealed instrument suitable for operation in any attitude without modification. Its inertial system is designed for minimum noise and cross-axis sensitivity. A unique system of matched piezo electric elements arranged in a 'reciprocal' configuration generates high output sensitivity combined with an input calibration facility.

Internal filters provide optimum shaping of the response. Output proportional to ground acceleration or ground velocity is available with high sensitivity of up to 50V/g. The casing is made of hermetically sealed stainless steel which makes the instrument suitable for field operation or, with an optional underwater connector, for immersion in water.

The SP4 is also available in a tri-axial configuration, consisting of three SP4s mounted in a 3-D boomerang arrangement. The tri-axial unit is also available mounted within an enclosure, providing calibration signal generation as well as alarm and switching functionality. See datasheet DS1149 for further details.

The instrument can also be used in strong motion application with variable maximum g levels.

