

SUPPLY
24VDC

RELAYS
CONTACT RATING
6A @ 250VAC.
6A @ 30VDC, 0.12A @ 220VDC.

MINIMUM SWITCHING LOAD
500mW (12V/10mA).

COIL TO CONTACT INSULATION
6kV.

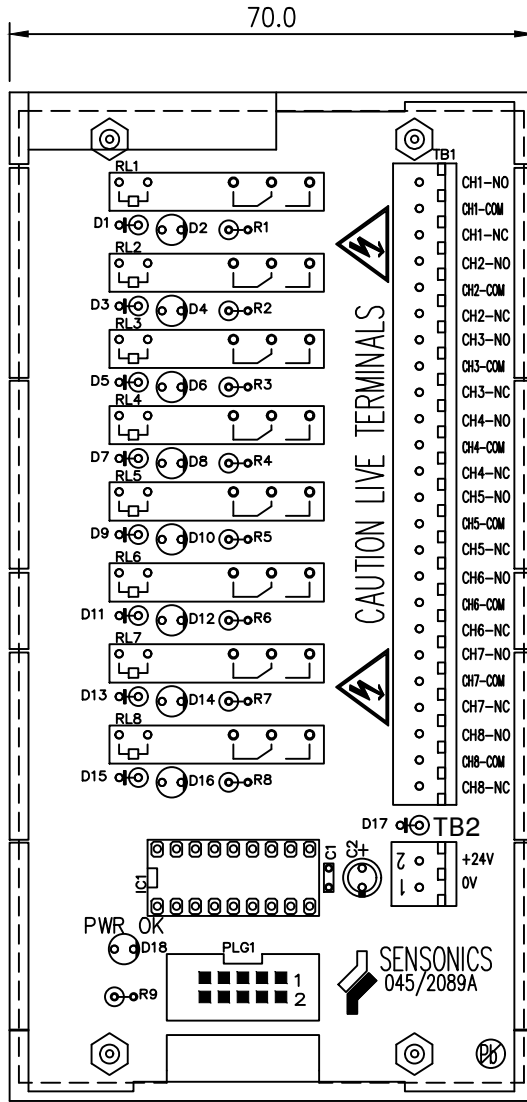
TOTAL POWER CONSUMPTION
1.4W MAX.

RELAY LED'S
GREEN LIT WHEN RELAYS
ARE ENERGISED

POWER LED
GREEN LIT WHEN UNIT
IS OPERATIONAL

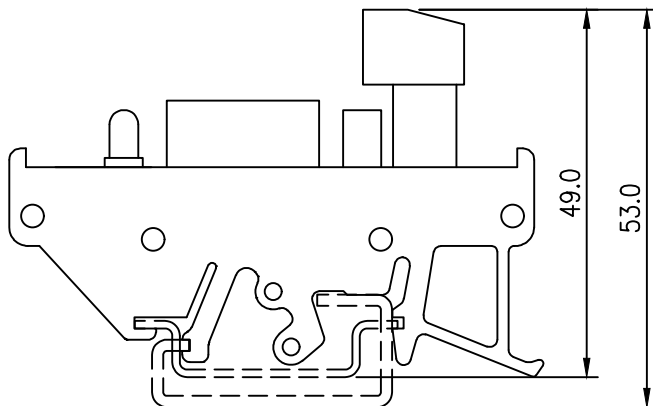
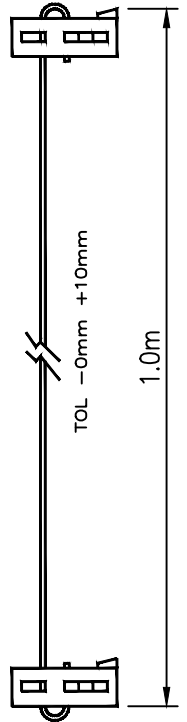
OPERATING TEMPERATURE
-20°C TO +65°C

NOTE:-
IF UNIT IS LOCALLY POWERED
VIA TB2 THEN THE SUPPLY
LINK ON THE BACK OF THE
RACK MUST BE REMOVED.



RELAY CONTACTS
SHOWN IN
DE-ENERGISED
CONDITION

SUPPLIED WITH 10 WAY RIBBON CABLE



FOR PARTS LIST SEE 046/5861A/4
FOR ASSEMBLY SEE EA3532A

TS32 OR TS35 DIN RAIL MOUNTING

ISSUE	2
DATE	4.5.2018
CN. No.	CN.4270
MOD BY	D.WELBOURN
CHECKED	R.KING

PROJ.ENG.	D.SIPOS	SCALE	1:1
DRAWN	D.WELBOURN	DIM'NS	mm
CHECKED	D.SIPOS	DATE	20.1.2010
CUST.REF.	10335	SHEET No.	SHT 1 OF 1

SENSONICS LTD NORTHBRIDGE ROAD, BERKHAMSTED, HERTS, HP4 1EF, ENGLAND
Tel : +44 (0)1442 876833 Fax : +44 (0)1442 876477

TITLE
**SENTRY G3 8 RELAY
EXPANSION CARD HOUSED IN RAFT
COMPLETE WITH 1m CABLE**

THIS DOCUMENT IS SUBJECT TO THE CONDITIONS
IN THE ENCLOSED MEMO DS 742

DRAWING No.
IS.4031/2

ISSUE
2