



- Up to ± 1 mm of Shaft Axial Position / Thrust Wear Measurement.
- Direct 4-20mA loop powered output.
- Transducer signal output (gap voltage)
- Switch selectable system cable lengths 5m, 7m and 9m.
- Double screened cable for high noise immunity.
- Snap lock and shake proof cable connection.
- Compliant with standard API 670.

The DNX8033 Transmitter is designed to measure shaft axial position or thrust wear on critical rotating plant. The unit operates in conjunction with Sensonics XPR range of 8mm tip diameter proximity probes, offering a wide measurement range of ± 1.0 mm.

Integrating the proximity probe driver functionality and signal processing to provide a the measurement offers a cost effective approach to shaft position monitoring. The 4-20mA loop powered transmitter affords easy integration with either the machine PLC or a plant wide DCS.

The DNX8033 proximity probe system is made up of a calibrated probe, extension cable and transmitter. Utilising the eddy current principle, this combination forms a tuned circuit with the target material and variations in probe face to target distance are detected in this circuit by the transmitter providing output current proportional to displacement.

The transmitter unit offers selectable system lengths of 5 m, 7 m or 9 m and a voltage proportional to the gap between the probe face and target can be monitored at the terminals to assist with commissioning the probe system.

The cable system incorporates snap lock connectors which require no torquing and provide a shake proof solution important for heavy industrial applications. The double screened cable offers robustness in combination with high immunity to interference with optional stainless steel convoluted armour.



System Performance

Measurement Range: -1.00 mm to +1.00 mm
Options (-40 mils to +40 mils)

-0.60 mm to +0.60 mm
(-25 mils to +25 mils)

Hi / Lo Output: 4.0 mA to 20.0 mA
Loop Powered

Linearity: ± 1% (% of FS)
± 2%, 0 °C to +150 °C @ -10.0V

Current Loop Sensitivity: 125 µm / mA ± 1 %
Options (-1.00 mm to +1.00 mm)

75 µm / mA ± 1 %
(-0.60 mm to +0.60 mm)

Resolution: <0.001 mm

Interchangability: Maximum interchangability error
replacing either probe,
extension cable or transmitter in
calibrated system is ± 5 %.

Available system lengths: 5 m, 7 m and 9 m

Cable length tolerance
Probe (1 metre): 1.0 m to 1.5 m
Cable Extension (4 metre): 4.0 m to 4.4 m
Cable Extension (6 metre): 6.0 m to 6.6 m
Cable Extension (8 metre): 8.0 m to 8.8 m

Frequency Response: 0 Hz to 1 kHz

Probe Gap Linear Range: 0.25 mm – 2.25 mm
(10 mils – 90 mils)

Reference Target Material: ANSI 4140

Probe

Probe tip diameter: 8.0 mm

Probe tip material: PPS 40 % Glass Filled

Probe body material: 303 stainless steel

Available probe body lengths: 20 mm to 250 mm
0.8 in to 9.6 in

Cable type: Triaxial 75Ohm Coaxial
FEP outer jacket
3.2 mm outer diameter

Armoured option: Convuluted Stainless Steel
6.4 mm outer diameter

Probe Resistance: 3.1 Ohms ± 0.2 Ohm

Operating Temp Range: -30 °C to +180 °C

Storage Temp Range: -40 °C to +180 °C

Minimum target diameter: 16 mm

Effect of target curvature: +2 % for shaft diameter 150 mm
+5 % for shaft diameter 25 mm

Magnetic field effect: <1 % at 110 mT

Transmitter

Maximum loop resistance: 1000 Ohms at +35.0V
0.0 Ohms at +15.0V
50 x (V – 15) Ohms

Input Voltage Range: +15.0 to +35.0 Vdc

Recommended Drive: 250 Ohms, +24.0 Vdc

Signal Output Range: 2.0 V to 12.0 V
0.25mm (10 mils) to
2.25 mm (90 mils)

Signal Output Sensitivity: 4.0 V / mm ± 2%
with 10 M Ohm Load

Signal Output Impedance: 10 K Ohm

Signal Output Temperature:
Sensitivity ± 10% over range
0 °C to +50 °C

System Length Selection: Internal switch 5 m,
7 m or 9 m

Calibration: CAL - adjustment
potentiometer for zero
setting

Sensitivity to:
Power Supply Negligible

Sensitivity to:
Gap Voltage < 1.0uA / µm

Transducer Failure: S/C or O/C, Loop
Current <3.8mA (out
of range)

Sensor Connector type: Self Locking Miniature
Male Coaxial

Mounting: Din Rail or Plate

Mass: 250 grams

Operating Temp Range: -40 °C to +80 °C

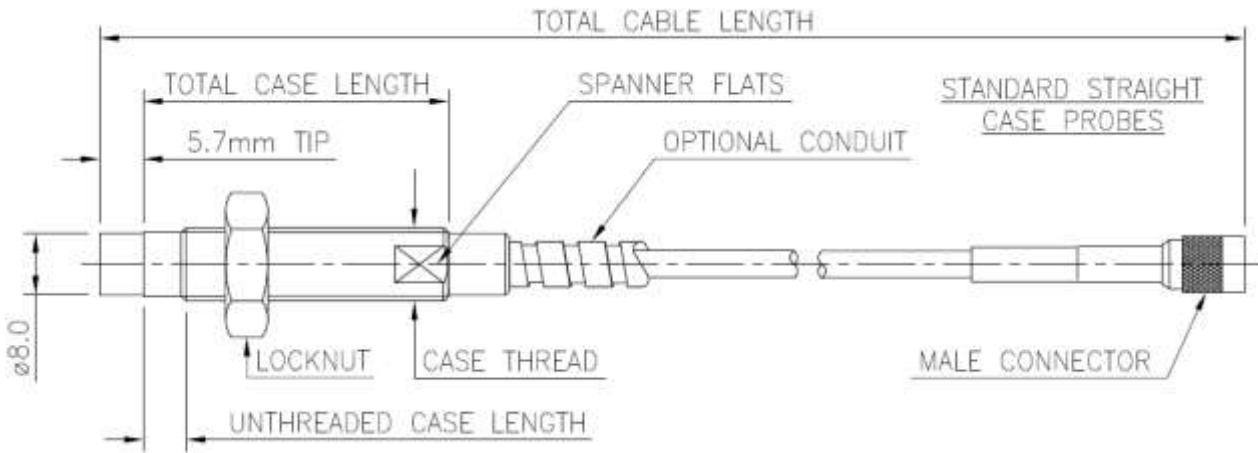
Storage Temp Range: -40 °C to +90 °C

Hazardous Area Approvals – ATEX / IECEx

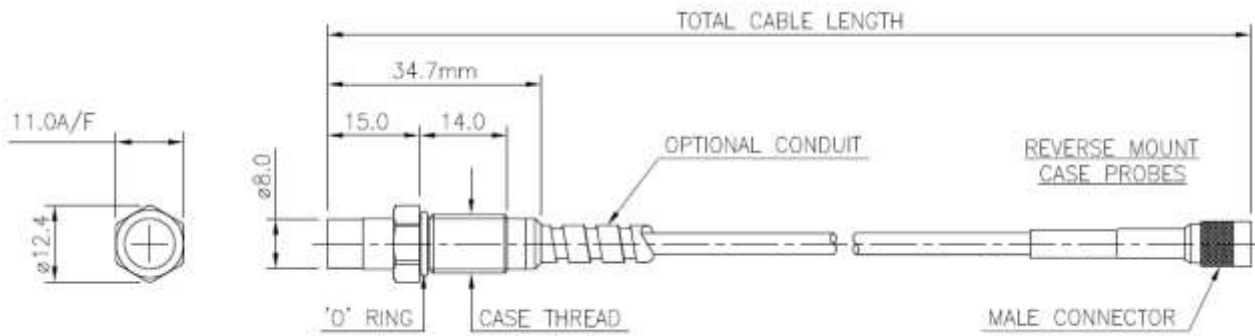
Probe	Transmitter
Ex II 1 GD	Ex II 1 GD
Ex ia IIC T4/T2 Ga	Ex ia IIC T4 Ga
Ex ia IIIC T135°C Da	Ex ia IIIC T135°C/ T300°C Da
-40°C ≤ Ta ≤ +80°C	-40°C ≤ Ta ≤ +80°C / +180°C

Probe Mechanical Configuration

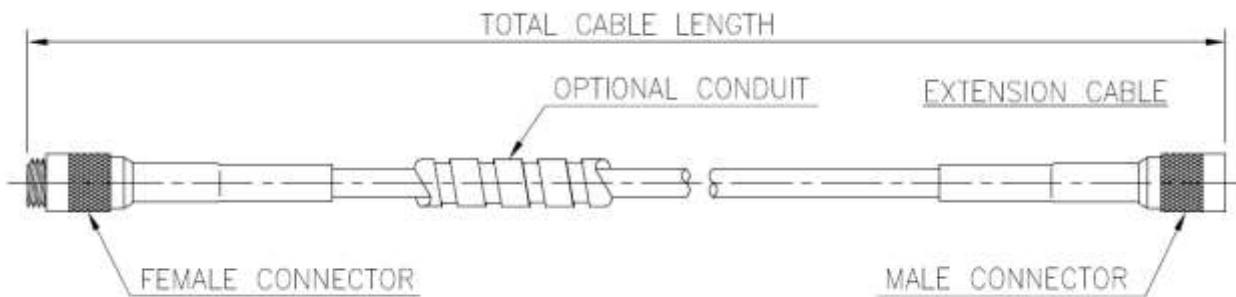
Straight Mount



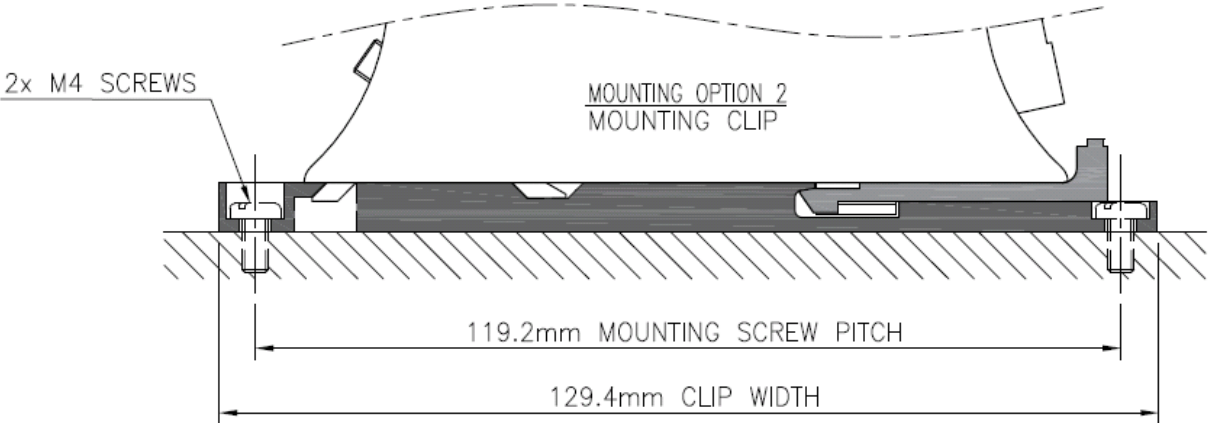
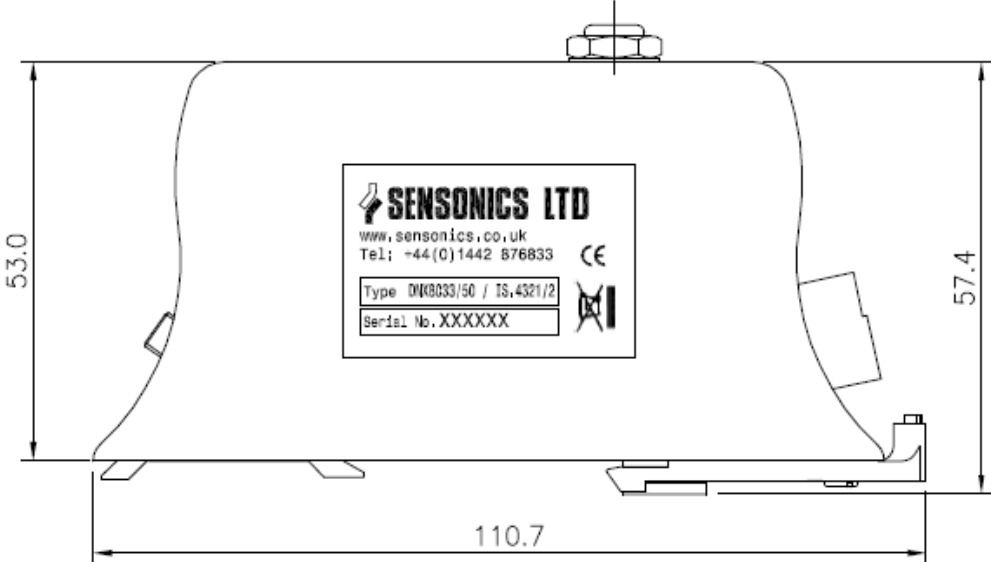
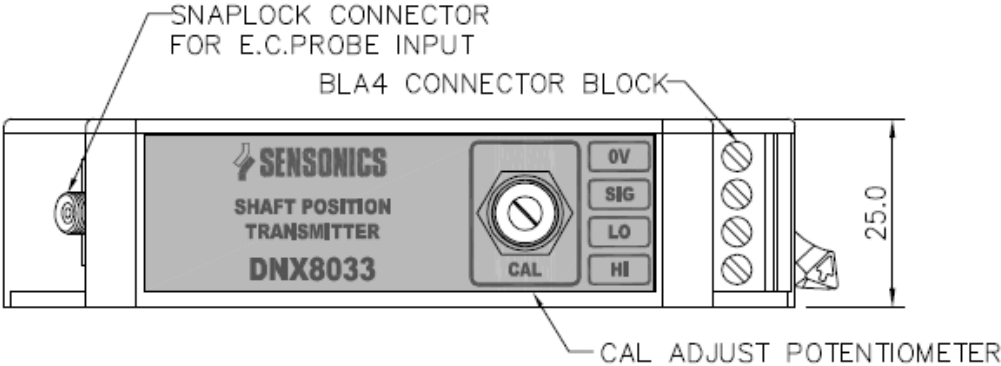
Reverse Mount



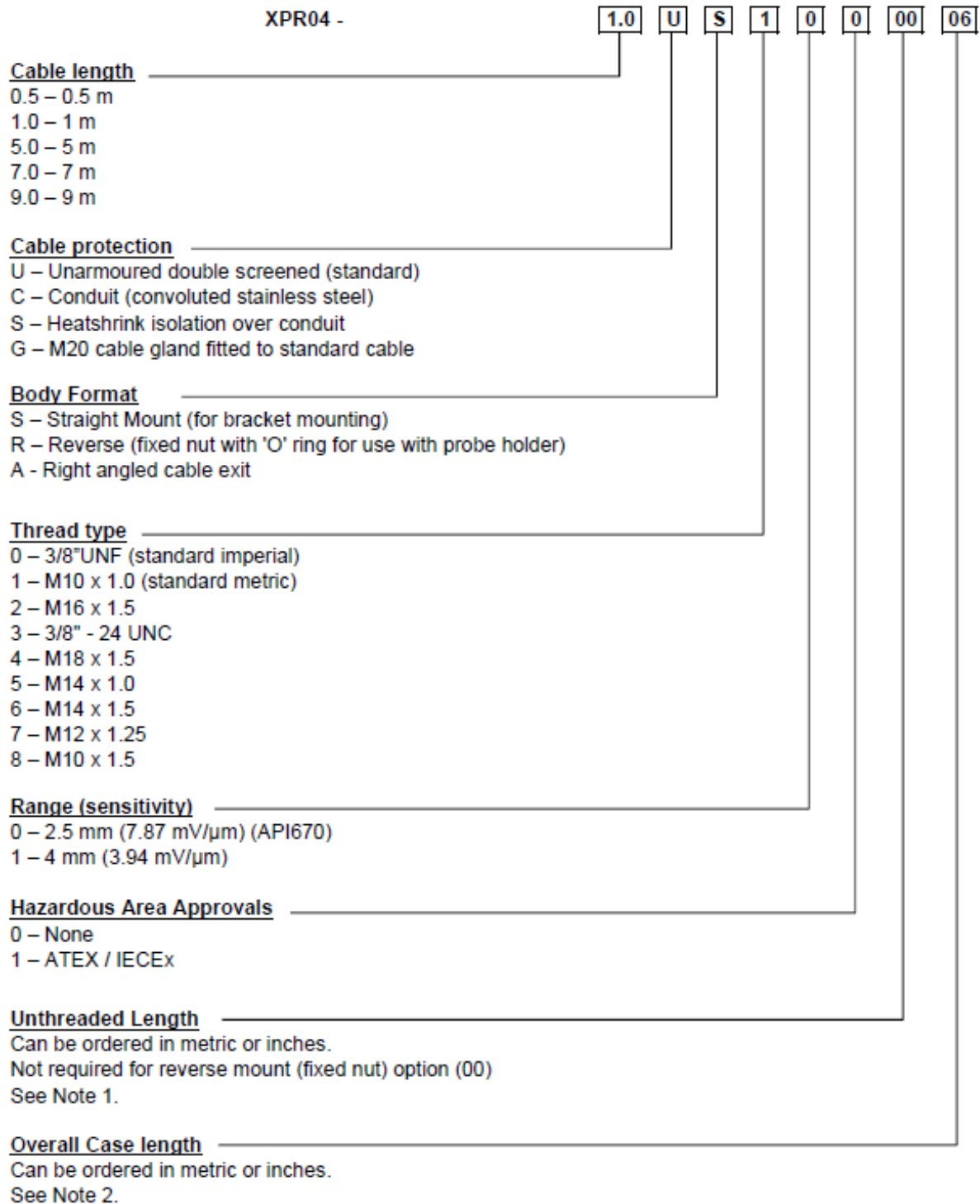
Extension Cable Mechanical Drawing



Transmitter Mechanical Configuration



Probe Ordering Information



Note 1 - Unthreaded Length Option

Imperial Case

Unthreaded length must be at least 0.8 inches less than the case length. Order in increments of 0.1 in.
 Maximum unthreaded length: 8.8 in.
 Minimum unthreaded length: 0.0 in.
 Example: 04 = 0.4 in.

Metric Case

Unthreaded length must be at least 20 mm less than the case length. Order in increments of 10 mm.
 Maximum unthreaded length: 230 mm.
 Minimum unthreaded length: 0 mm.
 Example: 06 = 60 mm.

Note 2 - Overall Case Length Option

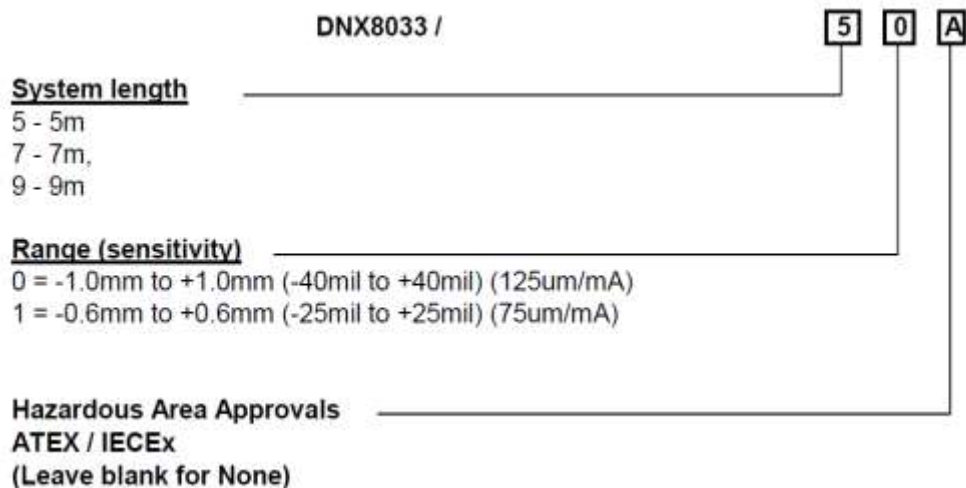
Imperial Case

Order in increments of 0.1 in.
 Maximum case length: 9.6 in
 Minimum case length: 0.8 in
 Example: 24 = 2.4 in

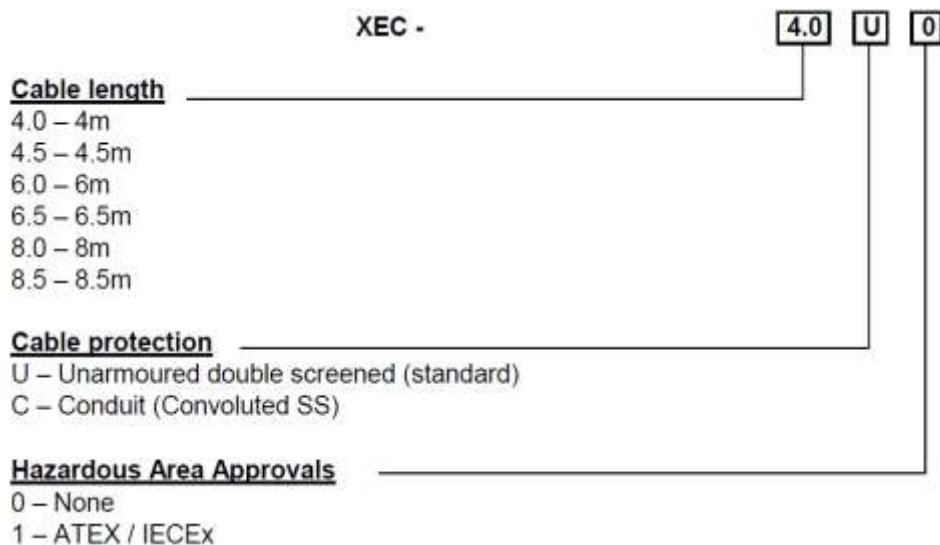
Metric Case

Order in increments of 10 mm.
 Maximum length: 250 mm.
 Minimum length: 20 mm.
 Example: 06 = 60 mm.

Transmitter Ordering Information



Extension Cable Ordering Information



Sensonics Ltd
 Northbridge Road
 Berkhamsted
 Herts, HP4 1EF
 United Kingdom
 Tel: +44 (0)1442 876833
 Fax: +44 (0)1442 876477
www.sensonics.co.uk